

Quartz Crystals

MJ

5.0 * 3.2 * 0.8 mm

MQ

7.0 * 5.0 * 1.0 mm

Surface Mount

MJ, MQ

Fundamental

MJ, MQ

3rd Overtone

Features

Specifications

- Exhibits extremely low aging with a high shock and vibration resistance
- The entire package can be grounded via the top metal lid and the two bottom pads
- This low 0.7mm package height is ideal for height constrained applications



General Specifications

Item / Type	MJ series	MQ series
Package Dimensions	(5.0 * 3.2 * 0.8 mm)	(7.0 * 5.0 * 1.0 mm)
Frequency Range	8.0 ~ 52.0 MHz (Fund.)	6.0 ~ 50.0 MHz (Fund.)
	40.0 ~ 200.0 MHz (3rd)	40.0 ~ 200.0 MHz (3rd)
Crystal Cut	AT - Cut ; 3rd overtone	
Load Capacitance	Series or Parallel (8 to 32 pF) resonance	
Drive Level	10 μ W (typ.) 100 μ W (max.)	
Frequency Tolerance	\pm 10 ppm , \pm 20 ppm or \pm 30 ppm (max.) at 25°C	
Aging	Δ F / F : \pm 3 ppm / year (max.)	
Storage Temp. Range	- 50°C to 105°C	

ESR (Equivalent Series Resistance)

MJ			MQ		
Freq. (MHz)	E.S.R.	Mode	Freq. (MHz)	E.S.R.	Mode
8.0 ~ 9.9 MHz	150 Ω	Fund.	6.0 ~ 8.0	80 Ω	Fund.
10.0 ~ 14.9 MHz	80 Ω		8.1 ~ 11.0	60 Ω	
15.0 ~ 19.9 MHz	50 Ω		11.1 ~ 14.0	50 Ω	
20.0 ~ 52.0 MHz	40 Ω		14.1 ~ 50.0	40 Ω	
40.0 ~ 200.0 MHz	80 Ω	3rd	40.1 ~ 50.0	80 Ω	3rd
			50.1 ~ 200.0	90 Ω	

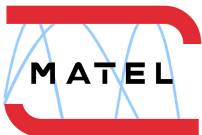
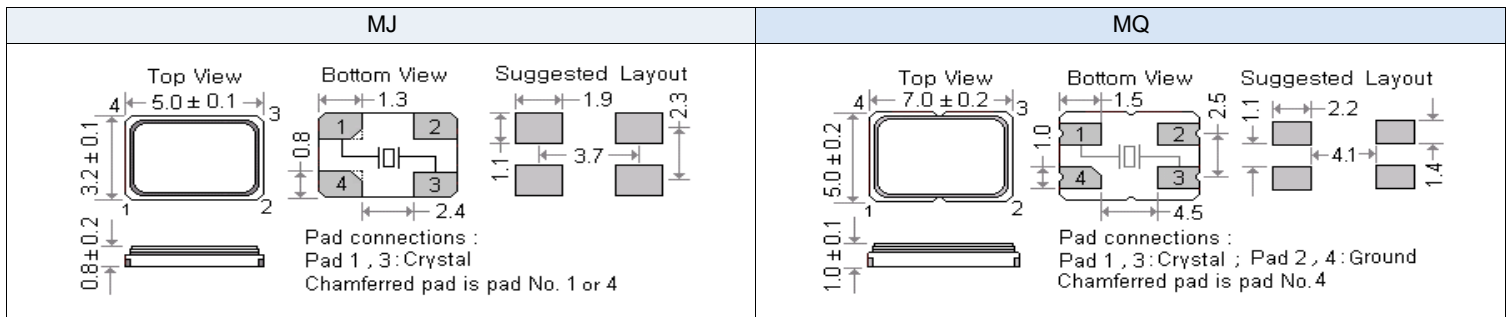
Frequency stability Vs Operating temperature range

Frequency stability vs Operating temperature range							
Stability code	Temp. (°C) \ ppm	\pm 5	\pm 10	\pm 15	\pm 20	\pm 25	\pm 30
X	-10 to 60°C	○	○	○	○	○	○
Y	-20 to 70°C	▲	○	○	○	○	○
I	-40 to 85°C			○	○	○	○

○ : available

▲ : contact Matel

Outline Dimensions (Unit : mm)



MATEL Centre d'affaires Laroiseau 1 rue Anita Conti 56000 VANNES

+33 (0)2 97 60 98 34 www.matel-piezo.fr

Part Number Formats and Product Marking Rules

Quartz Crystals

Holder Type

SMD type :	X11	X21	X22	X32	X42	MJ	MF	MQ	M49	ML49	MP5	MP4	MP25	MP24
Dip type :	H49	HUS	HUSL	U1	U5	T38	T26							
Jacket type :	H49MJ	49TMJ	U1MJ	U5MJ	T26MJ									
Gull wing :	H49SM	49TSM	U1SM	U5SM	T26SM									

Part Number Format

	[1] Holder Type	-	[2] Center Freq.	-	[3] CL	-	[4] Freq. Tolerance	/	[5] Freq. Stability	[6] Operating Temp. Range Code	/	[7] Special ESR
Example	(1)	H49	-	40.000A3	-	12	-	30	/	30	X	
	(2)	X32	-	26.000	-	16	-	30	/	30	X	/ 20R
	(3)	MJ	-	12.000	-	20	-	10	/	10	W	
	(4)	M49	-	24.000	-	18	-	20	/	30	H	/ 15R

- Ex (1) : H49 - 40.000A3 - 12 - 30 / 30 X [49/U type , 40.000MHz, AT-cut 3rd overtone , 12pF , ±30ppm (25°C) , ±30ppm (-10°C to 60°C)]
 Ex (2) : X32 - 26.000 - 16 - 30 / 30 X / 20R [X32 type , 26.000MHz , 16pF , ±30ppm (25°C) , ±30ppm (-10°C to 60°C) , 20 Ω]
 Ex (3) : MJ - 12.000 - 20 - 10 / 10 W [MJ type , 12.000MHz , 20pF , ±10ppm (25°C) , ±10ppm (0°C to 50°C)]
 Ex (4) : M49 - 24.000 - 18 - 20 / 30 H / 15R [M49 type , 24.000MHz , 18pF , ±20ppm (25°C) , ±30ppm (-30°C to 85°C) , 15 Ω]

[1]	Holder Type
[2]	Center frequency . Please add " A3 , A5 or B " after the " Freq. in MHz " for the quartz cut other options . Blank : AT-cut fund. mode ; A3 : AT-cut 3rd overtone ; A5 : AT-cut 5th overtone ; B : BT-cut fund. mode
[3]	Load Capacitance (CL) : series (spec. code is " S ") or Parallel (If parallel , please specify CL value , typical CL ranges from 8 to 32 pF) Available Options " V " = Vinyl sleeve around holder , " K " = 3rd lead at bottom center , " R " = On reel " G " = 3rd lead at top center , " I " = Teflon insulator at bottom
[4]	Calibration tolerance value : freq. tolerance value (at 25°C) , industrial temp. range
[5]	Frequency Stability , industrial temp. range
[6]	Temp. Range Options
[7]	If non-standard please enter the desired ESR (Equivalent Series Resistance) after " / " , for example " 20R " : 20Ω

Production Marking Rules

General X'tal package type marking rules	MQ, MF, MJ, X42 marking rules	X22, X32 marking rules
<p>(Cutting method) : A : AT-cut (fundamental) B : BT-cut (fundamental) 3 : AT-cut (3rd overtone) 5 : AT-cut (5th overtone)</p>	<p>(Cutting monthod) : A : AT-cut , fundamental B : BT-cut , fundamental 3 : AT-cut , 3rd overtone 5 : AT-cut , 5rd overtone</p>	<p>X21 marking rules</p>

Table 1	CL	< 10	10	11	12	13	14	15	16	17	18	19	20	21	22	23	24	25	26	27	28	29	30	31	32	33	34	>34	Series
	Code	A	B	C	D	E	F	G	H	I	J	K	L	M	N	O	P	Q	R	S	T	U	V	W	X	Y	Z	a	b
Table 2	Month	Jan.	Feb.	Mar.	Apr.	May	Jun.	Jul.	Aug.	Sep.	Oct.	Nov.	Dec.																
	Code	A	B	C	D	E	F	G	H	I	J	K	L																



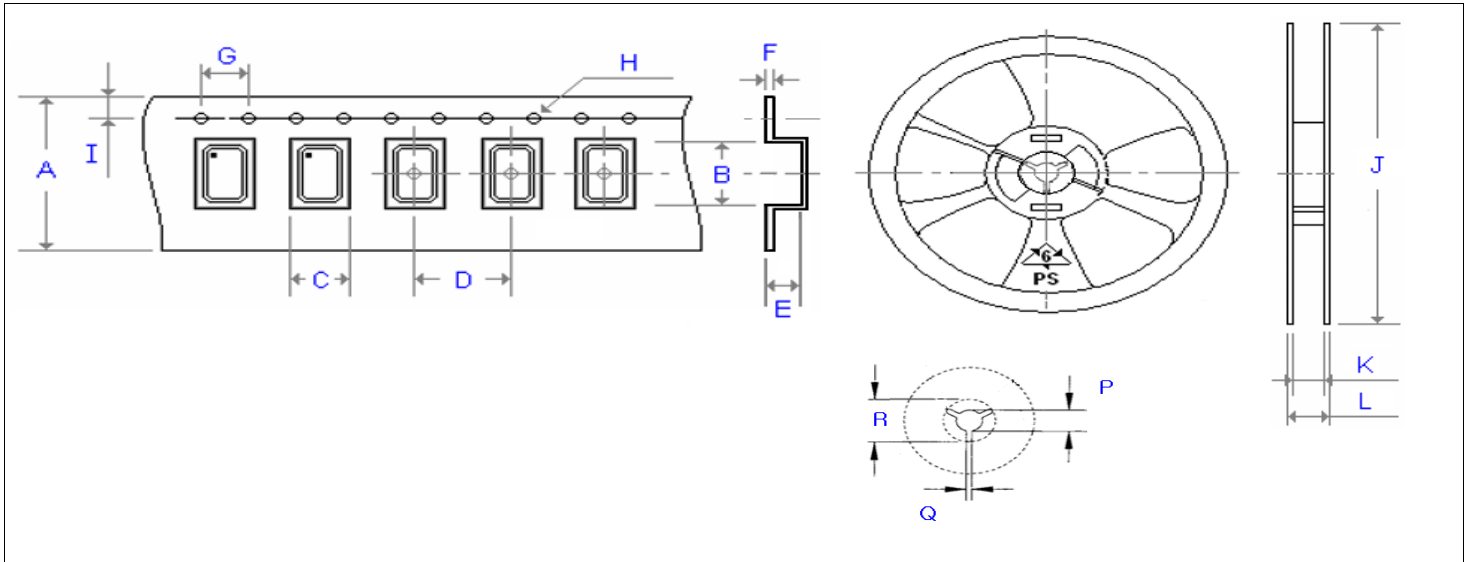
MATEL Centre d'affaires Laroiseau 1 rue Anita Conti 56000 VANNES

+33 (0)2 97 60 98 34 www.matel-piezo.fr

Emboss Taping and Reel Specifications

[Crystal Units]

[M . C . F . Units]

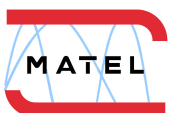


Carrier Type Dimensions (unit : mm) ±0.3mm

	A	B	C	D	E	F	G	H	I	pcs / reel
X11	8.00	1.79	1.39	4.00	0.45	0.25	4.00	Ø 1.50	1.75	3000
X21	8.00	2.30	1.90	4.00	0.60	0.20	4.00	Ø 1.50	1.75	3000
X22	8.00	2.80	2.25	4.00	1.10	0.30	4.00	Ø 1.50	1.75	3000
X32	8.00	3.40	2.70	4.00	1.40	0.25	4.00	Ø 1.50	1.75	3000
X42	12.00	4.30	2.80	8.00	1.00	0.30	4.00	Ø 1.50	1.75	1000
X2012	8.00	2.25	1.45	4.00	0.75	0.25	4.00	Ø 1.50	1.75	3000
X3215	12.00	3.40	1.75	4.00	0.87	0.32	4.00	Ø 1.50	1.75	3000
MJ	12.00	5.30	3.60	8.00	1.40	0.30	4.00	Ø 1.50	1.75	1000
MF	16.00	6.30	4.00	8.00	1.40	0.30	4.00	Ø 1.50	1.75	1000
MQ	16.00	7.20	5.40	8.00	1.80	0.30	4.00	Ø 1.50	1.75	1000
M49	24.00	15.00	5.00	12.00	4.25	0.40	4.00	Ø 1.50	1.75	1000
ML49	24.00	14.80	5.00	12.00	3.50	0.40	4.00	Ø 1.50	1.75	1000
MP4 (24)	24.00	13.30	5.10	12.00	4.20	0.40	4.00	Ø 1.50	1.75	1000
MP5 (25)	24.00	13.40	5.10	12.00	5.20	0.40	4.00	Ø 1.50	1.75	1000

Reel Dimensions (unit : mm) ±2mm

	J	K	L	P	Q	R	pcs / reel
X11	180.0	8.4	11.4	13.0	2.5	20.2	3000
X21	180.0	8.4	11.4	13.0	2.5	20.2	3000
X22	180.0	8.4	11.4	13.0	2.5	20.2	3000
X32	180.0	9.0	12.0	13.0	2.5	20.2	3000
X42	180.0	13.0	16.0	13.0	2.5	20.2	1000
X2012	180.0	9.0	11.4	13.0	2.5	20.2	3000
X3215	180.0	13.0	15.4	13.0	2.5	20.2	3000
MJ	180.0	13.0	16.0	13.0	2.5	20.2	1000
MF	180.0	17.2	19.3	13.0	2.5	20.2	1000
MQ	180.0	17.2	19.3	13.0	2.5	20.2	1000
M49	330.0	24.5	29.1	13.0	2.5	20.2	1000
ML49	330.0	24.5	29.1	13.0	2.5	20.2	1000
MP4 (24)	330.0	24.5	29.1	13.0	2.5	20.2	1000
MP5 (25)	330.0	24.5	29.1	13.0	2.5	20.2	1000



MATEL Centre d'affaires Laroiseau 1 rue Anita Conti 56000 VANNES

+33 (0)2 97 60 98 34 www.matel-piezo.fr