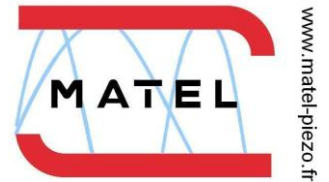


32.768KHz SMD Crystals MHG



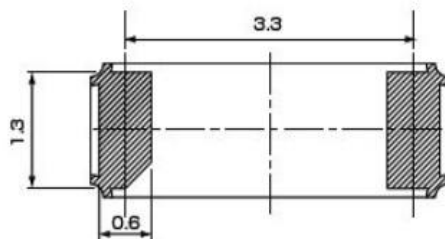
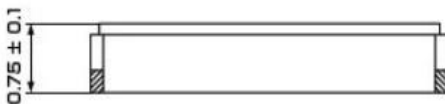
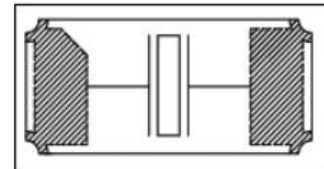
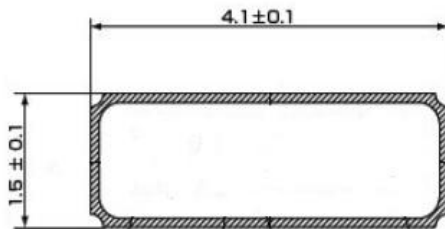
| FEATURES |
|---|
| 32.768 KHz Case Name: 4.1 x 1.5 x 0.75 |
| APPLICATION |
| Clock |

Electrical specifications :

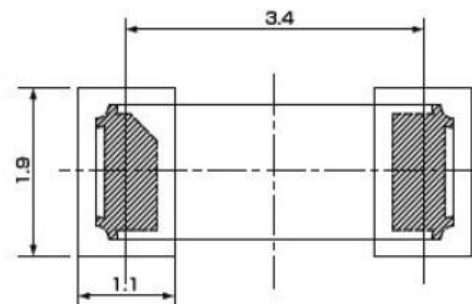
| Parameters | Conditions | Min | Typ | Max | Units |
|------------------------------------|--------------|------|--------|-------|------------------------|
| Frequency Range | | | 32.768 | | KHz |
| Frequency Tolerance | At 25°C | ± 20 | | ± 100 | ppm |
| Temperature Coefficient | Ref to 25°C | | | -0.04 | ppm/(Δ°C) ² |
| Operating Temperature Range | | - 40 | | + 85 | °C |
| Storage Temperature Range | | - 40 | | + 85 | °C |
| Shunt Capacitance | | | 1.3 | | pF |
| Load Capacitance | | 9 | 12.5 | 30 | pF |
| Insulation Resistance | DC 100 V | 500 | | | MΩ |
| Drive Level | | | | 1 | μW |
| Ageing (first year) | At 25°C ±3°C | - 5 | | + 5 | ppm |
| Equivalent Series Resistance (ESR) | | | | 80 | kΩ |

Example: MHG32.768-125M2

Mechanical Dimensions (mm) :



RECOMMENDED SOLDERING PATTERN



SMD Crystal Units

| | | | | | | | |
|------|-----|----------|----|---------|----|------|------------|
| TYPE | MHG | REVISION | 01 | CHECKED | PB | DATE | 02/12/2015 |
|------|-----|----------|----|---------|----|------|------------|

All specifications are subject to change without notice

Crystal Units KHz Codification Part Numbering System



www.matel-piezo.fr

MHA 32.768 - 125 A 3

\updownarrow \updownarrow \updownarrow \updownarrow \updownarrow

| Dimensions | Package | Nominal Frequency (in KHz) | - | Load Capacitance | Operating Temperature Range | Frequency Tolerance |
|------------------|---------|--|---|-------------------|-----------------------------|---------------------|
| 2.0 x 1.2 x 0.6 | MHD | Please enter The nominal Frequency | | 05 = 5pF | A= 0°C to +50°C | 1=±10ppm |
| 3.2 x 1.5 x 0.75 | MHE | | 10 = 10pF | B= 0°C to +70°C | 2=±20ppm | |
| 4.1 x 1.5 x 0.75 | MHG | | 125 = 12.5 pF | C= -10°C to +60°C | 3=±30ppm | |
| 6.9 x 1.4 x 1.4 | MHH | | 30 = 30 pF | D= -10°C to +70°C | 5=±50ppm | |
| 7.9 x 3.8 x 2.5 | MHC | | Other load capacitance on request | E= -20°C to +70°C | 0=±100ppm | |
| 2.7 x 8.7 | MHI | | | G= -30°C to +85°C | X=±5ppm | |
| 2 x 6 | MHA | | | M= -40° to +85°C | Y=±15ppm | |
| 2 x 6 K | MHK | | | | Z=±25ppm | |
| 2 x 6 L | MHL | | | | | |
| 2 x 6 M | MHL | | | | | |
| 3 x 8 | MHB | | | | | |

| | | | | | | | |
|------|--------------------------|----------|----|---------|----|------|------------|
| TYPE | CODIFICATION Crystal KHz | REVISION | 02 | CHECKED | PB | DATE | 29/04/2016 |
|------|--------------------------|----------|----|---------|----|------|------------|

All specifications are subject to change without notice